

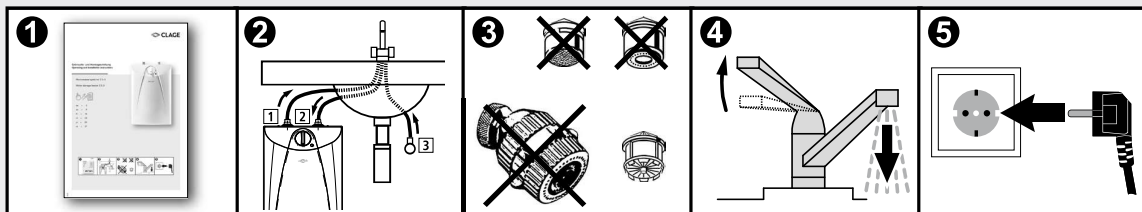
Gebrauchs- und Montageanleitung
Operating and installation instructions

Warmwasserspeicher S5-U

Water storage heater S5-U



- de > 2
- en > 9
- fr > 16
- nl > 23
- pl > 30
- cs > 37

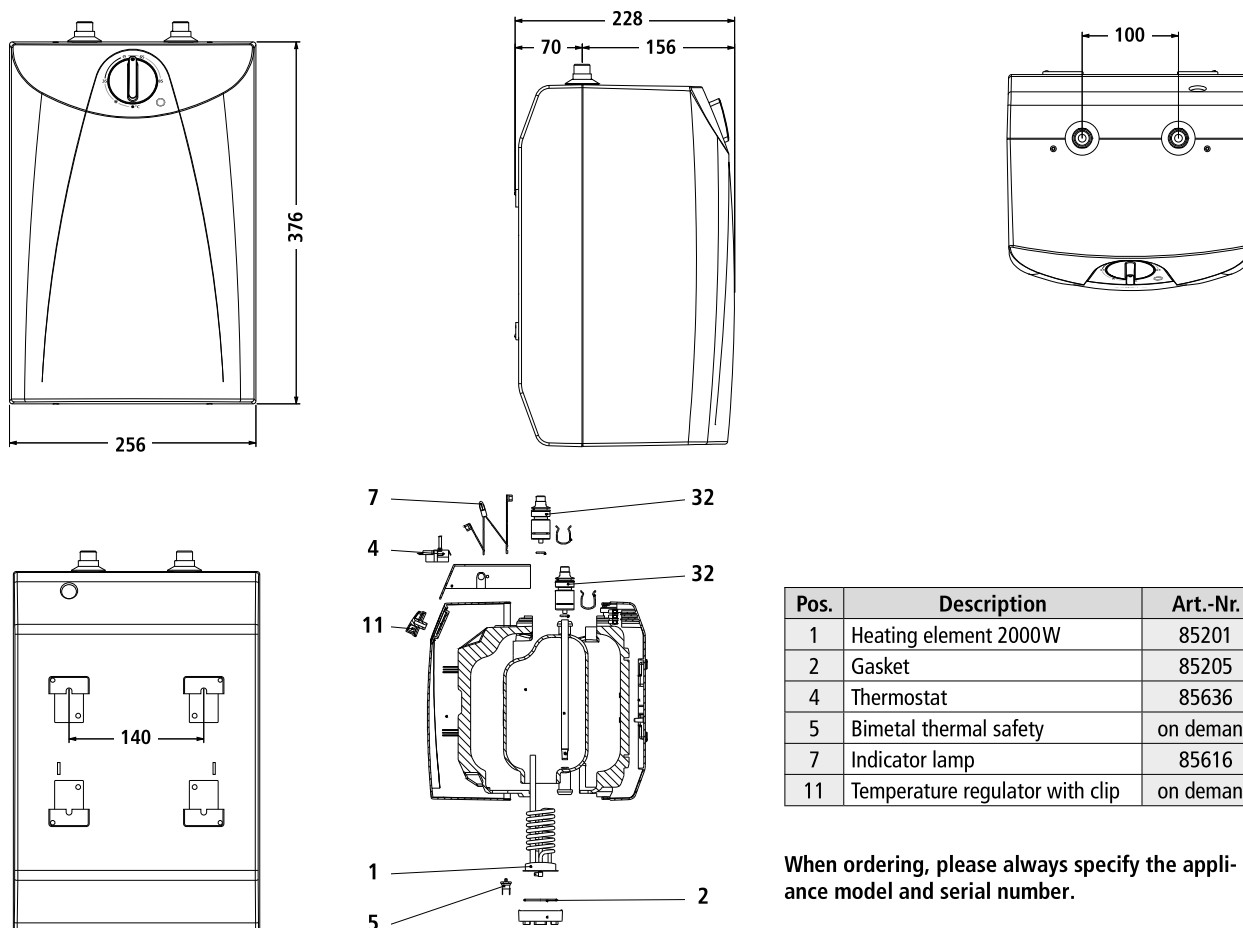


1. Contents

1. Contents	9
2. Layout of the appliance and Spare parts	9
3. Safety notes	10
4. Environment and Recycling	10
5. Description of appliance	11
6. Technical specifications	11
7. Operating	12
How to select the temperature	12
Temperature limitation	12
8. Installation and water connections	13
9. Electrical connection	14
10. Commissioning	14
11. Maintenance and cleaning	15
To open the housing lid	15
Decalcification	15
Faults to be cleared by an approved professional	15
12. Product data sheet in accordance with EU regulation - 812/2013 814/2013	44

EN

2. Layout of the appliance and Spare parts



Pos.	Description	Art.-Nr.
1	Heating element 2000W	85201
2	Gasket	85205
4	Thermostat	85636
5	Bimetal thermal safety	on demand
7	Indicator lamp	85616
11	Temperature regulator with clip	on demand

When ordering, please always specify the appliance model and serial number.

3. Safety notes

EN



Installation, commissioning and maintenance of this appliance may only be undertaken by an authorized professional who will then be responsible for adherence to the applicable standards and installation regulations.

We cannot accept any liability for damage due to non-compliance with these instructions.

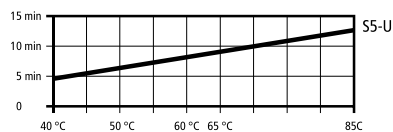
- Do not use the appliance until it has been correctly installed and unless it is in perfect working order.
- The appliance is only suitable for domestic use and similar applications inside closed, frost-free rooms, and must only be used to heat incoming water from mains supply.
- The appliance must never be exposed to frost.
- The appliance must be completely filled with water before being switched on!
- Never make technical modifications, either to the appliance itself or the electrical leads and water pipes.
- Do not remove the front cover under any circumstances before switching off the mains electrical supply to the unit.
- Pay attention to the fact that water temperatures in excess of approx. 43 °C are perceived as hot, especially by children, and may cause a feeling of burning. Please note that the fittings and taps may be very hot when the appliance has been in use for some time.
- The appliance must be earthed!
- In order to avoid any damage by incorrectly resetting the safety thermal cut out in case of disturbance, this appliance should not be used in conjunction with a timer.
- This appliance can be used by children aged 3 years and above and persons with reduced physical, sensory or mental capabilities or lack of experience and knowledge if they have been given supervision or instruction concerning use of the appliance in a safe way and understand the hazards involved. Children shall not play with the appliance. Cleaning and user maintenance shall not be made by children without supervision.

4. Environment and Recycling

Your product was manufactured from high-quality, reusable materials and components. Please respect in case of discarding that electrical devices should be disposed of separately from household waste at the end of their service life. Therefore, please take this device to a municipal collection point that return used electronic devices to the recycling system. Disposing it correctly will support environmental protection and will prevent any potential negative effects on human beings and the environment that could arise from inappropriate handling of these devices at the end of their service life. Please contact your local authority for further details of your nearest designated collection point or recycling site.

Business customers: If you wish to discard equipment, please contact your dealer or supplier for further information.

5. Description of appliance



- The storage water heater S5-U is a open (non-pressurized) water heater for the decen-tral hot water supply of a single outlet, e.g. kitchen sink.
- The storage water heater constantly keeps the water volume available at the preset temperature. If the entire volume of the water heater is drawn off, recovery time is as shown in the diagram.
- **Never pressurize the water heater. Under no circumstances must the spout be blocked. Only use CLAGE-jet control for pressureless storage water heaters.**
- The formation of calcium could block the outlet resulting in pressure being exerted on the water heater.
The first signs for calcification are boiling noises and a reduced flow of water. If so, have the system and fittings decalcified by a professional.
- **While the system is heating up, water will drip from the spout.**

EN

6. Technical specifications

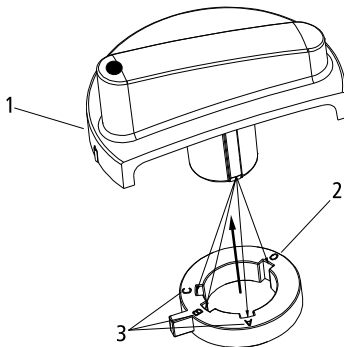
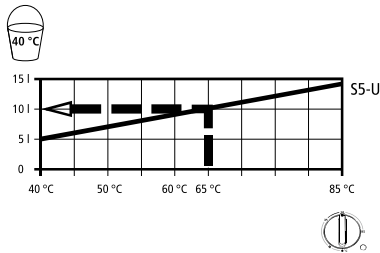
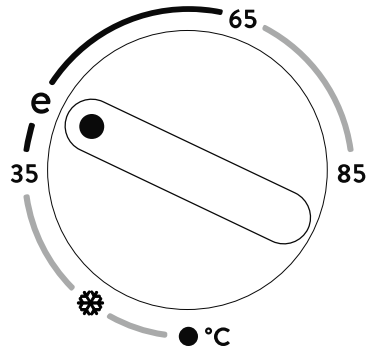
Type	S5-U	
Art. No.	42052	
Capacity	l	5
Energy efficiency class ¹	A	
Daily power consumption ¹⁺²	kWh	2,49
value of „smart“ ¹	0	
Protection class acc. to VDE	1	
Packaging dimensions	mm	215 × 265 × 425
Type of system (nom. pressure)	open (non-pressure)	
Inner container	Polypropylene	
Insulation	Polystyrene (without CFCs)	
Nominal loading at 230 V	kW	2,0
Water connections	inch	³ / ₈
Mixed water capacity ³	l	9,1
Temperature range	°C	≤ 85
Temperature selection	infinitely variable	
Heating time from 10 °C to 65 °C	min	10
Stand-by power consumption ¹⁺⁴	kWh	0,27
Empty / Filled weight	kg	3,5 / 8,5
Type of protection acc. VDE	IP 24	

1 The declaration complies with the EU regulation No 812/2013. The product data sheet is attached at the end of this document.

2 EN 50440

3 Mixed temperature 40 °C with hot temperature 65 °C and cold temperature 12 °C

4 Stand by power consumption with 65 °C/24 h



- 1 Limiting ring
- 2 Factory set at 85°C: "0"
- 3 Adjustment possibilities of thermostat: "A-B-C"

The required temperature for the water in the storage heater can be set on the appliance. The water is dispensed via the hot water tap of the installed fitting and can then be mixed with cold water.

How to select the temperature

- Heater switched off
- * Automatic anti-freeze function: heating is activated if water temperature falls below apr. 7 °C
- 35 to 65 °C: **energy saving range**
(e.g. for hand-wash basin)
- e apr. 41 °C: **recommended economy setting**,
with less calcification.
- 65 **standard setting**
(e.g. for kitchen sink)
- 85 maximum temperature that can be set

Due to the nature of the system, temperatures set may deviate from nominal values.

Control lights during heating-up process.

If the control knob is set higher than 43 °C, high-temperature water can flow immediately.

Caution: risk of scalding!

Together with the temperature, you also select the attainable volume of mixed water (see diagram opposite).

Temperature limitation

- increased protection against scalding
- less energy consumption
- less calcification

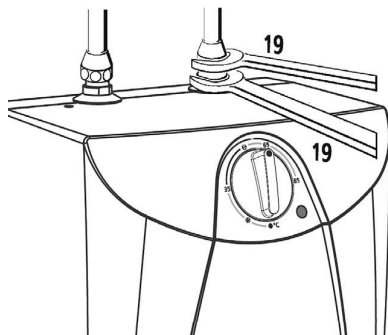
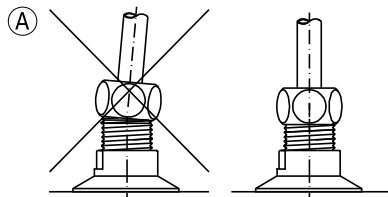
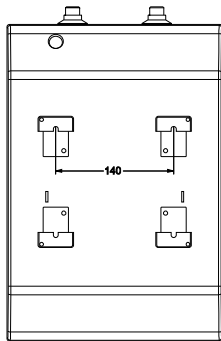
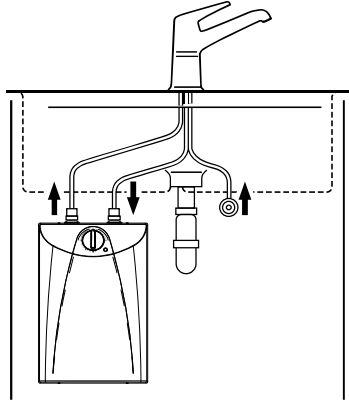
Remove the control knob to gain access to the limiting ring.

The temperature can be limited by displacing the limiting ring to one of the following positions:

- A** 38 °C **B** 55 °C
C 65 °C **0** 85 °C (factory setting)

Removal of the control knob only by a qualified person!

8. Installation and water connections



The following regulations must be observed:

- EN 806
- Installation must comply with all statutory regulations, as well as those of the local electricity and water supply companies.
- Only intact and appropriate tools must be used
- **If this unit is exposed to mains water pressure, the water container may start leaking and cause damage.**
- Make sure that no accessories are left in the packing.
- Install the water heater vertically. Water connection on top and in a frost-free room. Use the screws and dowels included or similar mounting material (depending on the wall condition) in horizontal position with a distance of 140 mm.
- **Never expose appliance to frost.**
- Do not close outlet pipe and the swivel spout of the fittings. Only use CLAGE-jet control for pressureless water storage heaters.

The spout also functions as a vent. **Only special open-outlet (non-pressure) taps are allowed for installation with this appliance.** Follow the manual of the tap as the flow must be regulated to 5 l / min. The flow rate must not be exceeded even when the water pressure is high on a temporary basis.

A correct flow rate results in:

- reduced noises
- a large volume of mixed water.

The coloured markings on fitting pipes and unit must match:

blue = cold water inlet

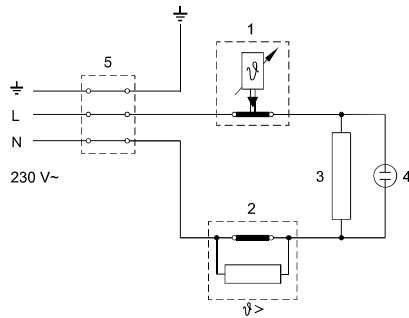
red = hot water outlet

If you confuse the connections, the hot water heater will not function or will be damaged.

Compression nut must not be on toe-out (A), forced tightening will destroy water-connections!

9. Electrical connection

Circuit diagram



- 1 Thermostat
- 2 Bimetal thermal safety
- 3 Heating element
- 4 Control light
- 5 Connecting terminal

Only by a specialist!

Please observe:

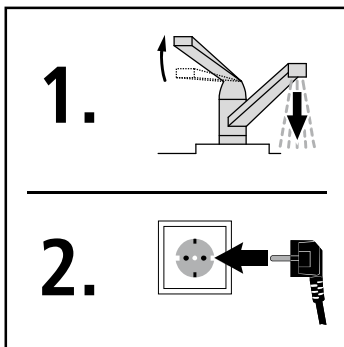
- e.g. VDE 0100
- **The installation must comply with current IEC and national local regulations or any particular regulations, specified by the local electricity supply company**
- **The rating plate and technical specifications**
- **The appliance must be earthed!**

A protective earth plug socket is required for connecting the device, which must be freely accessible after the device has been installed.

If the water heater is to be connected permanently to AC mains circuit (connector socket), an isolator with at least 3 mm separation on all poles must be used (e.g. via fuses).

The unit must not be installed with fixed connection cable.

10. Commissioning



1. Open hot water valve of the fitting or set single-lever mixer to »hot« until water flows free of bubbles.
2. Only after step one plug in mains plug and select temperature.

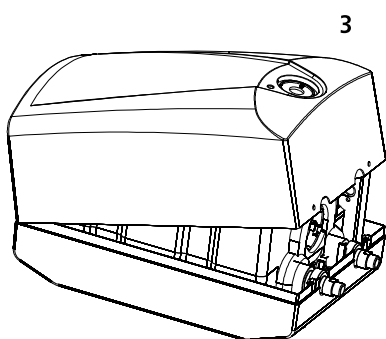
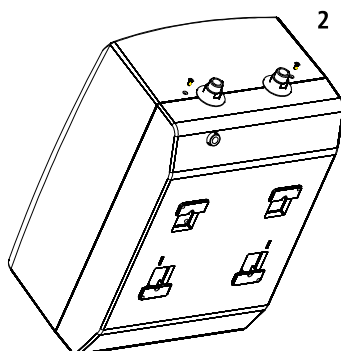
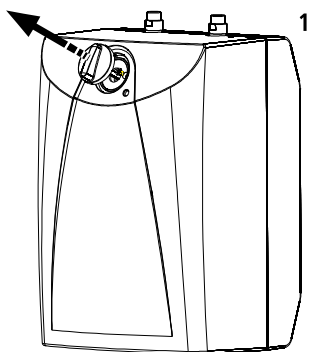
Risk of running dry!

If you confuse the sequence, the temperature fuse will react. In this case you have to fill the water heater with water and disconnect the electric supply for a short time.

Changing hands

- Explain the function of the unit to the user, in particular, call his attention to the safety instructions and the dripping of the fittings when heating up.
- Hand over the installation and operating instructions to the user.

11. Maintenance and cleaning



By a professional only!

Applicable to all maintenance work:

- **Disconnect unit from the mains circuit.**
- **Disconnect cold and hot water pipes from unit.**
- **Remove unit, drain via the cold and hot water connection pieces and place on a table.**

To open the housing lid

1. Pull off the thermostat knob (1).
2. Loose the four screws: two on the top and two at the bottom (2).
3. Loose screw in the knob.
4. Remove the front housing lid (3).
5. The unit is now accessible for all additional maintenance work. Assembling is done in reversed order.

Decalcification

The outlet pipe can be cleaned by means of usual decalcifier or vinegar. Please observe manufacturer instructions when using decalcifier. In case water flows considerably slowly when the hot water tap is opened the storage heater and the tap must be decalcified by a professional. In case of permanent calcification an incorrect pressure could develop inside the unit.

On the heating element and on the interior of the boiler scale is separating. The cleaning interval depends on the water hardness and the operating time of the appliance. We suggest to clean the water storage heater after two years.

The appliance and the fittings should only be cleaned with a damp cloth. Do not use abrasive or chlorine-based cleaning agents or solvents.

Faults to be cleared by an approved professional

If the safety cut out operates by using the water heater normally, the reason for the fault must be rectified and the thermostat must be replaced.