

**Gebrauchs- und Montageanleitung**  
**Operating and installation instructions**

E-Komfortdurchlauferhitzer  
DCX Next / DCX13 Next

*E-convenience instant water heater*  
*DCX Next / DCX13 Next*



de	>	2
en	>	18
fr	>	34
nl	>	51
pt	>	68
es	>	85
pl	>	102
ru	>	119
cs	>	136
sk	>	153
bg	>	170
sr	>	187



**Contents**

**EN**

**Operation instruction**

- 1. Description of the appliance .....19
- 2. Environment and recycling .....19
- 3. How to use .....20
  - Temperature setting .....20
  - Power limit .....20
  - Device information .....20
  - Venting after maintenance work.....21
  - Cleaning and maintenance .....21
- 4. Trouble-shooting and service.....22
- 5. Product data sheet in accordance with EU regulation -  
812/2013 814/2013 .....22

**Installation instruction**

- 1. Overview.....23
- 2. Technical specifications .....24
- 3. Dimensions .....24
- 4. Installation.....25
  - Installation site .....25
  - Mounting accessories .....25
  - Installing the wall bracket.....26
  - Installing connection pieces.....26
  - Installing the appliance .....27
- 5. Direct connection .....28
- 6. Electrical connection .....29
  - Wiring diagram .....29
  - Structural prerequisites .....29
  - Load shedding relay.....29
  - Electrical connection from below.....30
  - Electrical connection from above.....30
- 7. Initial operation .....31
  - Selection of power rating.....31
  - Control panel lock.....32
- 8. Maintenance work.....33
  - Cleaning and replacing the filter strainer .....33
  - Cleaning and replacing the filter strainer if direct  
connected.....33

**The documents supplied with the device must be stored carefully.**

**Registration**

Register your device online on our website and benefit from our services under warranty.

Your full details help our customer service process your request as fast as possible.

For online registration, just follow the link below or use the QR code with your smartphone or tablet.

<https://partner.clage.com/en/service/device-registration/>



# Operation instruction

**Note: Carefully read the enclosed safety instructions through in full before the appliance is installed, put into service and used and follow them in the further steps and during use!**

EN

## 1. Description of the appliance



The E-convenience instant water heater DCX Next / DCX13 Next is a electronically controlled pressure-resistant instantaneous water heater for an efficient water supply to one or more tap outlets.

Its electronic control regulates the power consumption depending on the selected outlet temperature, the respective inlet temperature and the flow rate, thus reaching the set temperature exactly to the degree and keeping it constant in case of water pressure fluctuations. The outlet temperature can be set to 35 °C, 38 °C, 42 °C, 48 °C or 55 °C using the central sensor key.

In case of a low feed temperature and a high flow rate at the same time, it could happen that the preset outlet temperature is not reached which is due to the fact that the appliance exceeded its capacity. The outlet temperature can be raised by reducing the water flow at the tap.

It is possible to use the instantaneous water heater in combination with an external load shedding relay for electronically controlled instantaneous water heaters (refer to installing instructions).

**As soon as you open the hot water tap, the instantaneous water heater switches on automatically. When the tap is closed, the appliance automatically switches off.**

## 2. Environment and recycling

This product was manufactured climate neutrally according to Scope 1 + 2. We recommend the purchase of 100% green electricity to make the operation climate neutral as well.

Your product was manufactured from high-quality, reusable materials and components. Please respect in case of discarding that electrical devices should be disposed of separately from household waste at the end of their service life. Therefore, please take this device to a municipal collection point that return used electronic devices to the recycling system. Disposing it correctly will support environmental protection and will prevent any potential negative effects on human beings and the environment that could arise from inappropriate handling of these devices at the end of their service life. Please contact your local authority for further details of your nearest designated collection point or recycling site.


Business customers: If you wish to discard equipment, please contact your dealer or supplier for further information.

## 3. How to use


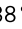
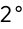
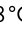
EN




### Temperature setting

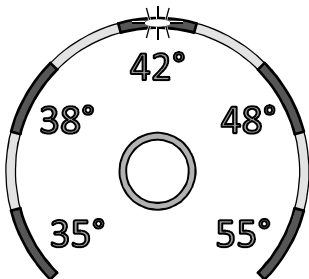
The temperature selection key  allows you to quickly select one of five preset temperatures, that are typical for hot water applications: “Hand wash” 35°C, “Shower” 38°C, “Bath tub” 42°C, “Kitchen” 48°C and “Cleaning” 55°C.

Every key press sets the temperature to the next level:

35°C  38°C  42°C  48°C  55°C

Pressing the key  once again, starts the cycle all over.

The currently selected temperature is indicated by one of five coloured LEDs.



### Power limit

If the full output of the instantaneous water heater DCX Next does not suffice to heat the tapped quantity of water, this will be indicated by flashing of the temperature LED (e.g. in winter time, when opening several taps at once). When you reduce the hot water flow rate, the LED lights up continuously again because the output of the appliance is again sufficient to reach the set temperature.

### Device information

Press and hold the temperature selection key for 10 seconds to open the info mode. After ten seconds, all LEDs light up once briefly and then switch off again immediately to confirm that the info mode is active. The device status is displayed via the LEDs:

**LED bottom left:** OFF = no water flow; FLASHING = water flow below switch-on point; ON = water flow above switch-on point.

**LED top middle:** ON = heating active; FLASHING = power limit. Otherwise OFF.

**LED bottom right:** OFF = device OK; FLASHING = error detected (inform customer service)

The display returns to normal operation after 60 seconds or after a key press.



### Venting after maintenance work

This instantaneous water heater features an automatic air bubble protection to prevent it from inadvertently running dry. Nevertheless, the appliance must be vented before using it for the first time. Each time the appliance is emptied (e.g. after work on the plumbing system, if there is a risk of frost or following repair work), the appliance must be re-vented before it is used again.

1. Disconnect the instantaneous water heater from the mains (e.g. via deactivating the fuses).
2. Unscrew the jet regulator on the outlet fitting and open the cold water tap valve to rinse out the water pipe and avoid contaminating the appliance or the jet regulator.
3. Open and close the hot water tap until no more air emerges from the pipe and all air has been eliminated from the water heater.
4. Only then should you re-connect the power supply again (e.g. via activating the fuses) to the instantaneous water heater and screw the jet regulator back in.
5. The appliance activates the heater after approx. 10 seconds of continuous water flow.

### Cleaning and maintenance

- Plastic surfaces and fittings should only be wiped with a damp cloth. Do not use abrasive or chlorine-based cleaning agents or solvents.
- For a good water supply, the outlet fittings (e.g. jet regulators and shower heads) should be unscrewed and cleaned at regular intervals. Every three years, the electrical and plumbing components should be inspected by an authorised professional in order to ensure proper functioning and operational safety at all times.

## 4. Trouble-shooting and service

EN



Repairs must only be carried out by authorised professionals.

If a fault in your appliance cannot be rectified with the aid of this table, please contact the service organisation of your importer or the Central Customer Service Department. Please have the details of the typeplate at hand.

**CLAGE GmbH**

After-Sales Service

Pirolweg 4  
21337 Lüneburg  
Germany

Phone: +49 4131 8901-400  
Email: service@clage.de

This instantaneous water heater was manufactured conscientiously and checked several times before delivery. Should malfunctions nevertheless occur, it is usually only due to a bagatelle. First attempt to switch the house fuses off and on again in order to reset the electronics. Next, try to remedy the problem with reference to the following table. In doing so, you will avoid unnecessary expense of customer service assistance.

DCX Next / DCX13 Next		
Problem	Cause	Solution
Water stays cold, temperature LED does not light up	Master fuse tripped	Renew or activate fuse
	Safety pressure cut-out tripped	Contact customer service
Water stays cold, temperature LED does light up	Safety thermal cut-out tripped	Contact customer service
	Water stays cold, all LEDs flash	Contact customer service
Water heats up, all LEDs flash with exception of the temperature indication	Internal error	Contact customer service
	Appliance detected an error	Contact customer service
Flow rate of hot water too weak	Outlet fitting dirty or calcified	Clean shower head, jet regulator or sieves
	Fine filter dirty or calcified	Let clean fine filter by customer service
Temperature indication LED flashes	Power limit reached	Decrease the warm water flow at the tap
Selected temperature is not reached	Cold water has been added via the tap	Tap hot water only; set temperature, check outlet temperature
Sensor key does not respond correctly or only sporadically	Display is wet	Dry display by wiping it with a soft cloth

## 5. Product data sheet in accordance with EU regulation - 812/2013 814/2013

a	b		c	d	e	f	h	i
	b.1	b.2			$\eta_{WH}$ %	AEC kWh	°C	$L_{WA}$ dB(A)
CLAGE	DCX Next	5E-270P-3B	S	A	39	471	55	15
CLAGE	DCX13 Next	5E-135P-3B	S	A	39	472	55	15

**Explanations**

a	Brand name or trademark
b.1	Model
b.2	Type
c	Specified load profile
d	Energy-efficiency class
e	Energy-efficiency
f	Annual power consumption
g	Additional load profile, the appropriate energy-efficiency and the annual power consumption, if applicable
h	Temperature setting for the temperature controller
i	Sound power level, internal

**Additional notes**

All specific precautions for assembly, installation, maintenance and use are described in the operating and installation instructions.



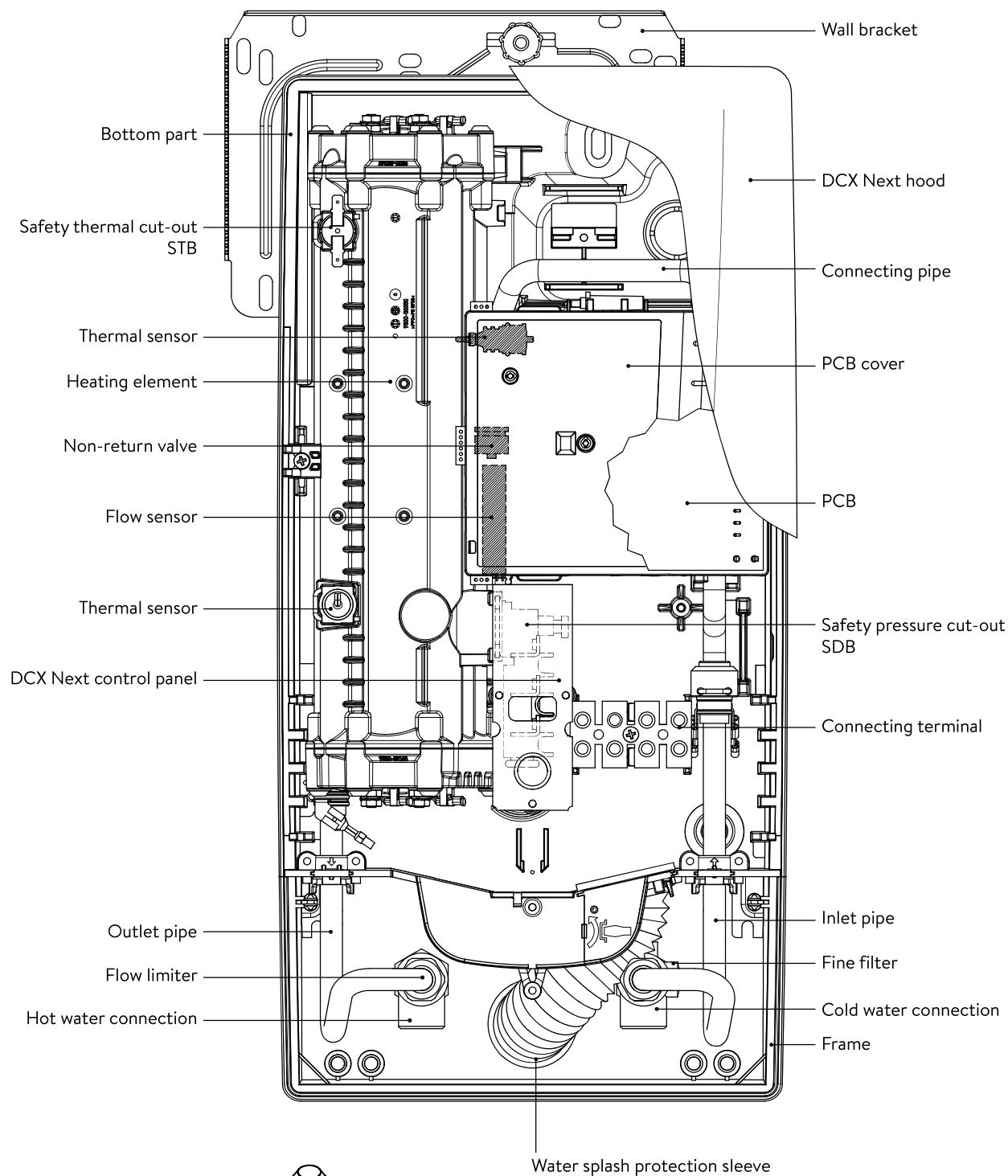
All data in this product data sheet are determined by applying the specifications of the relevant European directives. Differences to other product information listed elsewhere may result in different test conditions.

The power consumption was determined in compliance with standardized measurement method based on EU guidelines. The real energy consumption is pending on individual requirements.

# Installation instruction

## 1. Overview

EN






Screw-in nipples 1/2 inch



Grommet

## 2. Technical specifications

Model	DCX13 Next		DCX Next			
Energy efficiency class	A *)					
Rated capacity / rated current	11kW..13.5kW (16A..20A)		18kW..27kW (26A..39A)			
Chosen capacity / current	11kW / 16A	13.5kW / 20A	18kW / 26A	21kW / 30A	24kW / 35A	27kW / 39A
Electrical connection	3~/PE 380..415V AC		3~/PE 380..415V AC			3~/PE 400V AC
Min. required cable size <sup>1)</sup>	1.5mm <sup>2</sup>	2.5mm <sup>2</sup>	4.0mm <sup>2</sup>	4.0mm <sup>2</sup>	6.0mm <sup>2</sup>	6.0mm <sup>2</sup>
Hot water (l/min) max. at $\Delta t = 28\text{K}$ max. at $\Delta t = 38\text{K}$	5.6 <sup>2)</sup> 4.1	6.9 <sup>2)</sup> 5.1 <sup>2)</sup>	9.2 <sup>2)</sup> 6.8	10.7 <sup>2)</sup> 7.9	12.3 <sup>2)</sup> 9.0 <sup>2)</sup>	13.8 <sup>2)</sup> 10.2 <sup>2)</sup>
Rated volume	0.4l					
Rated pressure	1.0 MPa (10 bar)					
Connecting type	pressure-resistant / pressureless					
Heating system	Bare wire heating system IES®					
@ 15 °C: Required specific water resistance Specific electrical conductivity	$\geq 1100\ \Omega\text{cm}$ $\leq 90\ \text{mS/m}$					
Inlet temperature	$\leq 30\text{ °C}$					
Flow rate to switch on – max. flow rate	1.5l/min – 5.0 <sup>3)</sup>		1.5l/min – 8.0 <sup>3)</sup>			
Pressure loss	0.08 bar at 1.5l/min 1.3 bar at 9.0l/min <sup>4)</sup>					
Temperature range	35 °C / 38 °C / 42 °C / 48 °C / 55 °C					
Water connection	G ½ inch					
Weight (when filled with water)	4.2 kg					
VDE class of protection	I					
Type of protection / safety	   <b>IP25 CE</b>					

\*) The declaration complies with the EU regulation No 812/2013.

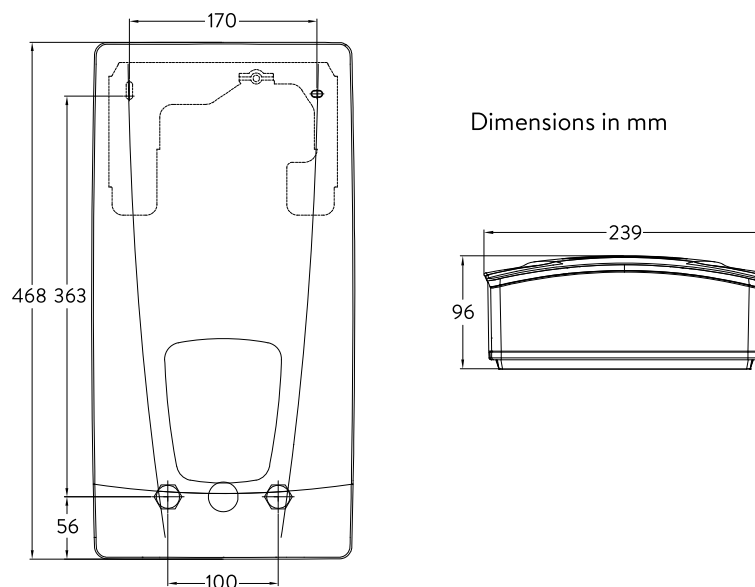
1) Maximum applicable cable size is 10 mm<sup>2</sup> at electrical connection from above

2) Mixed water

3) Flow rate limited to achieve optimum temperature rise

4) Without flow regulator

## 3. Dimensions





## 4. Installation



Based on the national constitution guidelines a general test certificate concerning the evidence of applicability of noise behaviour is granted.

The following regulations must be observed:

- e.g. VDE 0100
- EN 806
- Installation must comply with all statutory regulations, as well as those of the local electricity and water supply companies.
- The rating plate and technical specifications
- Only intact and appropriate tools must be used

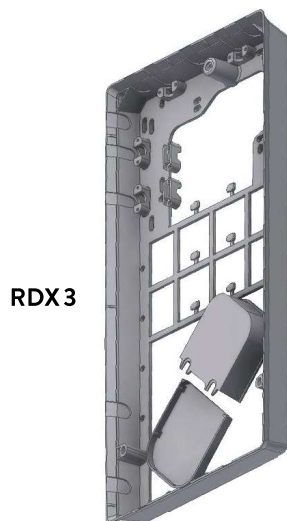
EN

#### Installation site

- Appliance must only be installed in frost-free rooms. Never expose appliance to frost.
- The Appliance must be wall mounted and has to be installed with water connectors downward or alternative transversely with water connections left.
- The appliance complies with protection type IP25 and may therefore be installed in protection zone 1 according to VDE 0100 part 701 (IEC 60364-7).
- In order to avoid thermal losses, the distance between the instantaneous water heater and the tap connection should be as small as possible.
- The appliance must be accessible for maintenance work.
- Plastic pipes may only be used if they conform to DIN 16893, Series 2.
- The specific resistance of the water must be at least  $1100 \Omega \text{ cm}$  at  $15^\circ \text{C}$ . The specific resistance can be asked for with your water distribution company.

#### Mounting accessories

For installations under difficult conditions, these mounting accessories are available:



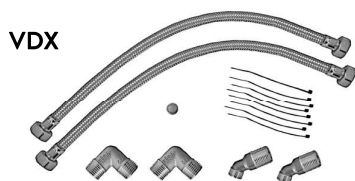
RDX3

#### Mounting frame kit RDX3

(Art. no. 36100)

The instant water heater can be installed by means of this mounting kit in the below situations. The power supply cable is coming out of the wall at any place from behind the unit, but the wall has unusual surface conditions, making it difficult for installing the water heater.

**When using the RDX the protection class changes from IP25 to IP24.**

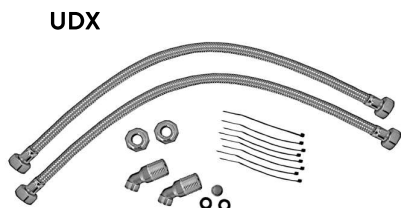


VDX

#### Extension kit VDX

(Art. no. 34120) – RDX / RDX3 is necessary! –

The instant water heater can be installed by means of this extension kit if the water pipes are coming displaced or exchanged out of the wall or if they are coming edge-wise on the wall to the unit. The power supply could come out of the wall at any place under the unit or the wiring could be installed surface-mounted.



UDX

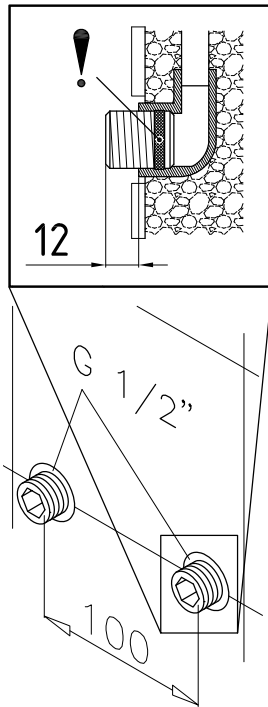
#### Extension kit UDX

(Art. no. 34110) – RDX / RDX3 is necessary! –

The instant water heater can be installed by means of this extension kit if the water-connections are expiring above the unit. The power supply could come out of the wall at any place under the unit or the wiring could be installed surface-mounted.

## 4. Installation

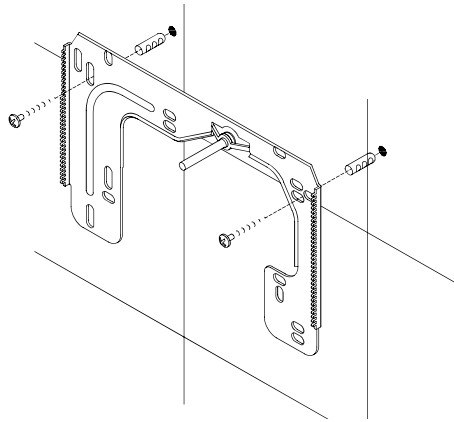
EN

**Installing the wall bracket**

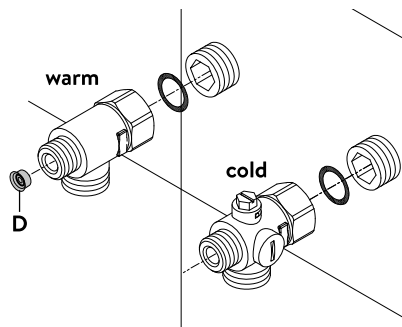
Note: If you install this instantaneous water heater in exchange for a conventional instantaneous water heater, there is generally no need to drill holes for the wall bracket, in this case step 2 would not be necessary.

**Thoroughly rinse the water supply pipes before installation to remove soiling from the pipes.**

1. Using a 12 mm hexagon socket screw key, screw the screw-in nipples into the wall connections. The seals must be fully screwed into the thread. After tightening, the double nipples must protrude by 12 – 14 mm.
2. Hold the included mounting template on the wall and align it so that the holes in the template fit over the double nipples. Mark the drill holes according to the template and drill them using a 6 mm drill. Insert the included dowels.
3. To open the appliance pull down the faceplate and unscrew the main hood screw. Lift the hood carefully, remove the plug from the control panel and note the position of the plug.
4. Loosen the knurled nut of the wall bracket, remove the wall bracket and screw it on the wall. Offset tiling or uneven surfaces can be compensated by up to 30 mm with the aid of the spacers supplied. The spacers are fitted between the wall and the wall bracket.

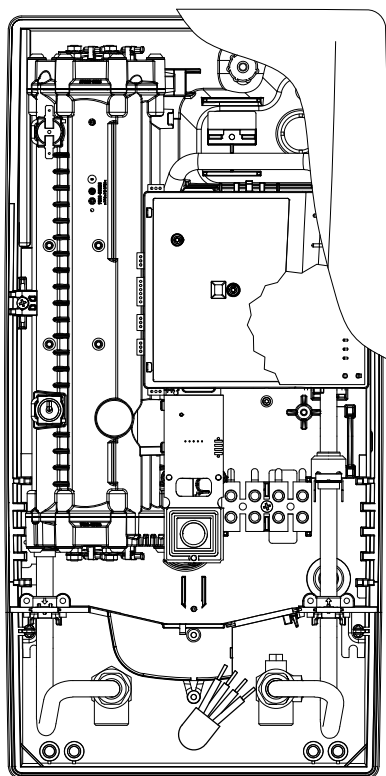
**Installing connection pieces**

**Note: Fasten the screw nuts with caution, to avoid damage to the valves or the piping system.**



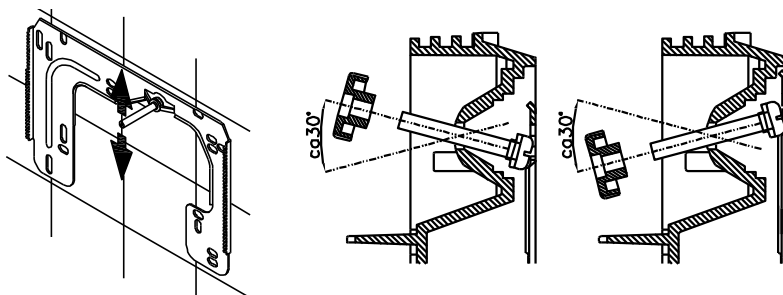
- As shown in the illustration, screw the cold water connection piece with the union nut and the 1/2 inch seal onto the cold water connection.
- Screw the hot water connection piece with the union nut and the 1/2 inch seal onto the hot water connection.
- Put the water flow limiter "D" into the hot water connection piece. The O-ring must be visible

## 4. Installation

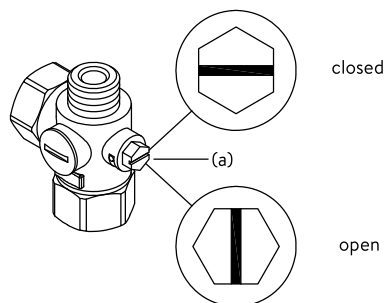


## Installing the appliance

- The electrical power supply cable may be connected in the upper part or is surface mounted. Only in such case, first follow the steps one through three according to the description “Electrical connection from above” in chapter “Electrical connection”.
1. Place the appliance on the heater bracket so that the threaded rod of the wall bracket fits in the corresponding hole of the appliance. If necessary, slight corrections are possible by carefully bending the threaded rod of the wall bracket. However, it must be possible to screw on the water connection pipes of the appliance without applying force.
  2. Screw the plastic knurled nut onto the threaded rod of the wall bracket.
  3. Screw the two  $\frac{3}{8}$  inch union nuts of the appliance’s water connection pipes, each with the  $\frac{3}{8}$  inch seal, onto the fittings.

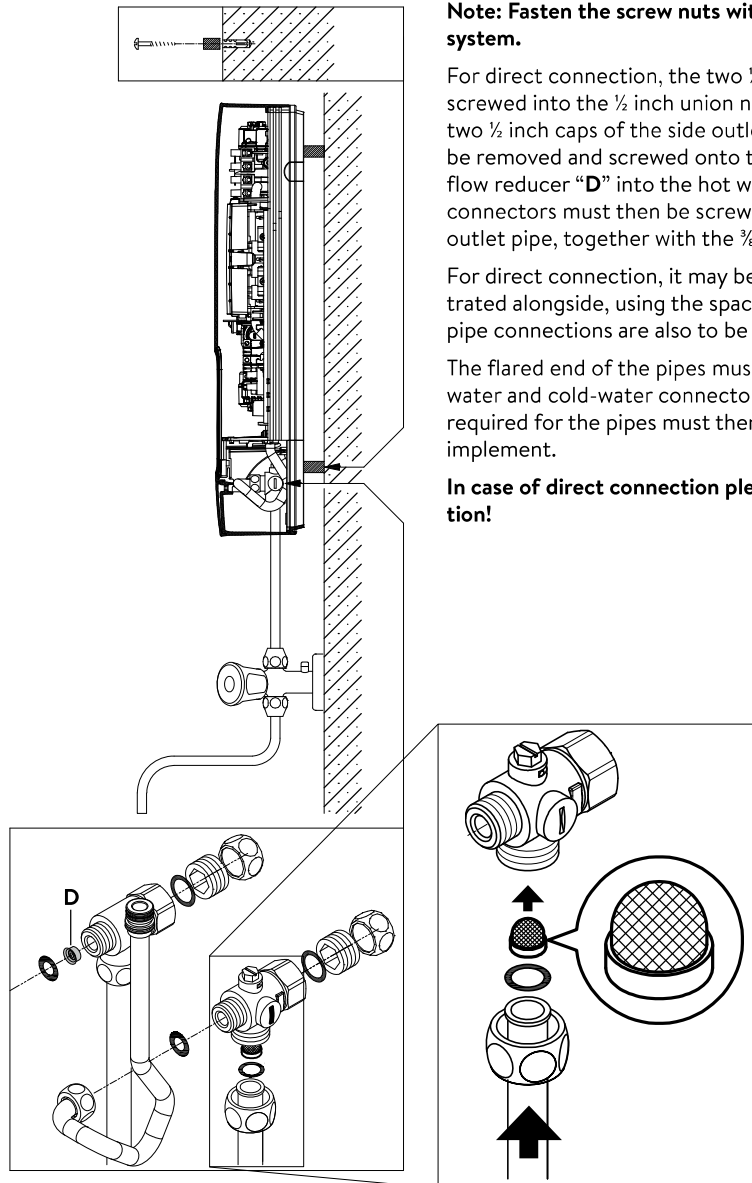


4. Open the water supply line to the unit and slowly open (position “open”) the shut-off valve (a) in the cold water connection piece. Check all connections for leaks.
5. Next, open and close the hot water tapping valve several times until no more air emerges from the line and all air has been eliminated from the instantaneous water heater.



## 5. Direct connection

EN



**Note: Fasten the screw nuts with caution, to avoid damage to the valves or the piping system.**

For direct connection, the two ½ inch screw-in nipples and the ½ inch seals must be screwed into the ½ inch union nuts of the hot-water and cold-water connectors. The two ½ inch caps of the side outlets of the hot-water and cold-water connectors must be removed and screwed onto the open end of the screw-in nipples. Put the water flow reducer “D” into the hot water connection piece. The hot-water and cold-water connectors must then be screwed into the ¾ inch union nut of the appliance inlet and outlet pipe, together with the ¾ inch seals.

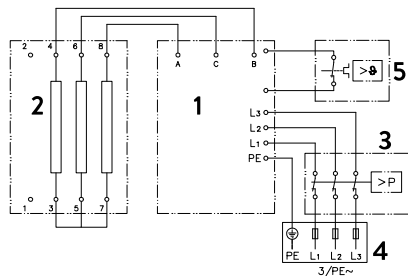
For direct connection, it may be advisable to mount the appliance at a distance as illustrated alongside, using the spacer sleeves supplied. The two fixing holes near the lower pipe connections are also to be professionally fixed with 6 mm dowels and screws.

The flared end of the pipes must be screwed into the ½ inch side outlets of the hot-water and cold-water connectors with ½ inch union nuts and ½ inch seals. The holes required for the pipes must then be opened of the housing with the aid of a blunt implement.

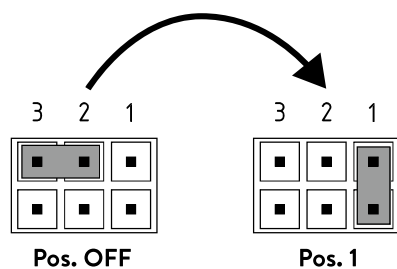
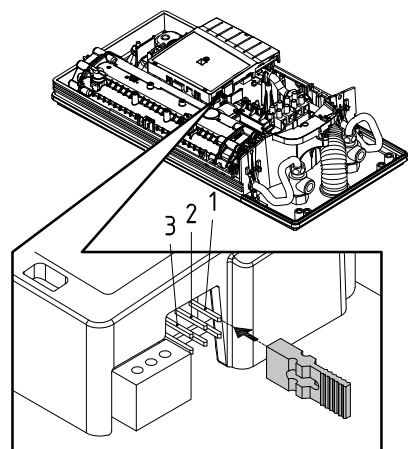
**In case of direct connection please note: Put the strainer into the cold water connection!**

## 6. Electrical connection

### Wiring diagram



1. Electronic circuitry
2. Heating element
3. Safety pressure cut-out
4. Connecting terminal
5. Safety thermal cut-out



### Only by a specialist!

#### Please observe:

- e.g. VDE 0100
- The installation must comply with current IEC and national local regulations or any particular regulations, specified by the local electricity supply company
- The rating plate and technical specifications
- The appliance must be earthed!

### Structural prerequisites

- The appliance must be installed via a permanent connection. Heater must be earthed!
- The electric wiring should not be injured. After mounting, the wiring must not be direct accessible.
- An all-pole disconnecting device (e.g. via fuses) with a contact opening width of at least 3 mm per pole should be provided at the installation end.
- To protect the appliance, a fuse element must be fitted with a tripping current commensurate with the nominal current of the appliance.

### Load shedding relay

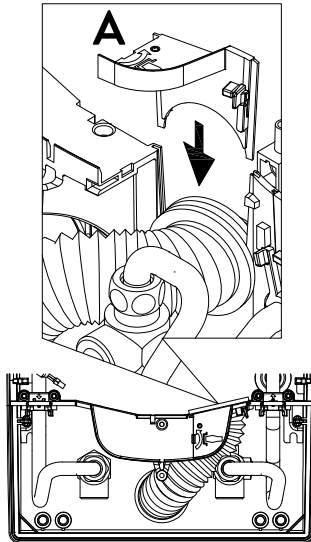
If further three-phase appliances are connected, a load shedding relay designed for electronic instantaneous water heaters (CLAGE no. 82250) can be connected to phase conductor L2.

To avoid possible jitter of the load shedding relay caused by low power consumption (low temperature set point and low water flow rate) the "Load-shedding-mode" can be activated as followed:

- Disconnect the appliance from the power supply (e.g. by switching of the fuses)
- Take the jumper off the power electronics and change to position "1" (see picture).
- Put the appliance into operation again

## 6. Electrical connection

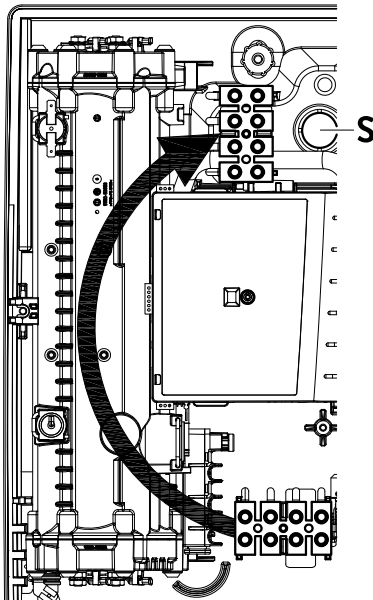
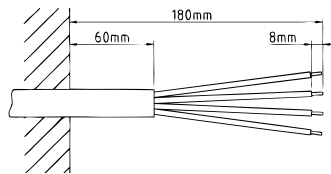
EN

**Electrical connection from below**

**Note: If necessary, the connecting terminal can be displaced to the upper part of the appliance. If you want to do so, please follow the instructions in the next chapter.**

**Check that the power supply is switched off prior to electrical connection!**

1. Dismantle approximately 6 cm off the connecting cable above the wall outlet. With the smaller opening ahead, slide the water splash protection sleeve over the connecting cable so that the sleeve is flush with the wall. This prevents any leaking water from coming into contact with the electrical leads. It must not become damaged! **The protection sleeve must be used!**
2. Strip the individual wires and plug them in the connecting terminals according to the wiring diagram. **The appliance must be earthed.**
3. Pull the protective sleeve so far over the connecting cables and shape the connecting cables in such a way that the sleeve fits perfectly in the recess of the intermediate panel without mechanical tension and fix it with the sleeve fixing (A).

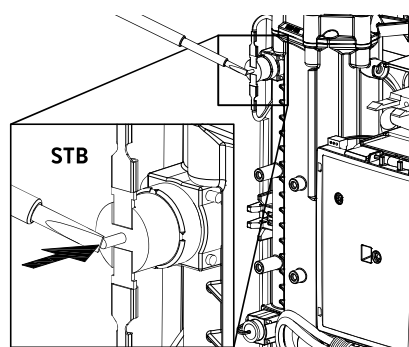
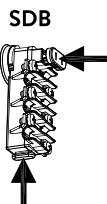
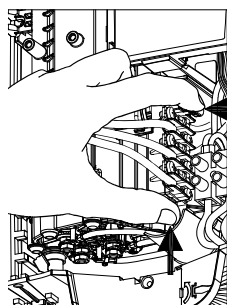
**Electrical connection from above**

**Check that the power supply is switched off prior to electrical connection!**

1. Open the prepared breaking point (S) in the upper part of the appliance by pressing with a blunt implement (e.g. screwdriver). For surface-mounted connection cable additional open the breakout at the right side of the bottom part.
2. Slit the grommet of the accessory set to match the cable size. The opening in the grommet should be slightly smaller than the cross-section of the cable in order to ensure optimum protection against water. Fit the grommet into the opening. **The protection grommet must be used!**
3. Strip the connection cable so that the sheath extends through the grommet into the appliance. Hold the prepared appliance so that you can route the cable into the grommet with the other hand.
4. Place the appliance on the wall bracket so that the threaded rod of the wall bracket fits in the corresponding hole of the appliance and fix it with the knurled nut.
5. Unscrew the fastening screw of the connecting terminal. Displace the connecting terminal to the upper foot. Affix the connecting terminal again.
6. Strip the individual wires of the connecting cable and plug them in the connecting terminals according to the wiring diagram. **The appliance must be earthed.**

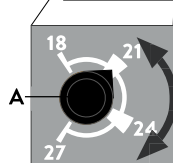
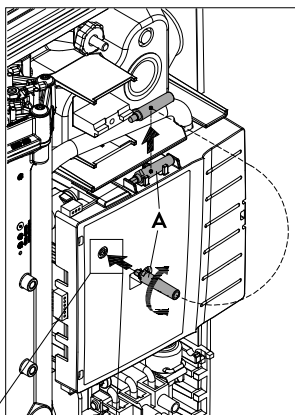
**Note: To ensure IP25 protection class, please don't remove the bottom water splash protection sleeve.**

## 7. Initial operation

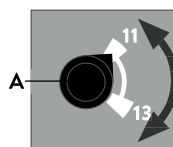
**Multiple Power System MPS®:**

The DCX Next's capacity can be changed internally to 27 kW, 24 kW, 21 kW or 18 kW at 400 V.

The DCX13 Next's capacity can be changed internally to 13,5 kW or 11,0 kW at 400 V.



DCX Next



DCX13 Next

Before making the electrical connection, fill the mains and the appliance with water by carefully opening and closing the hot water tap in order to vent completely.

To ensure a maximum flow, remove any existing aerator from the faucet. Flush the warm and cold water pipes each at least for one minute.

After every draining (e.g. after work on the plumbing system or following repairs to the appliance), the heater must be re-vented in this way before starting it up again.

If the water heater cannot be put into operation, the temperature cut-out or the pressure cut-out may have tripped during transport. If necessary, check that the power supply is switched off and reset the cut-out.

**Selection of power rating**

**Only by authorised specialist, otherwise lapse of guarantee!**

Before first connection of the appliance to the supply voltage, select the maximum power rating.

The maximum allowable power rating at installation site depends on the local situation. It is imperative to observe all data shown in the table "Technical specifications", in particular the required cable size and fuse protection for the electrical connection. Moreover, the electrical installation must comply with the statutory regulations of the respective country and those of the local electricity supply company (Germany: DIN VDE 0100).

1. Select the maximum allowable power rating depending on the local situation. To do this, take the auxiliary tool "A" from the holder on the electronics cover and turn the switch to the desired value.

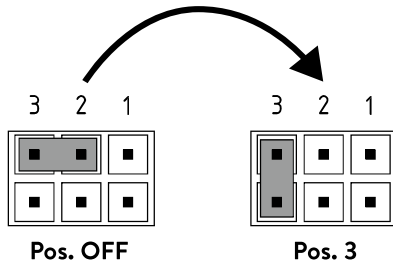
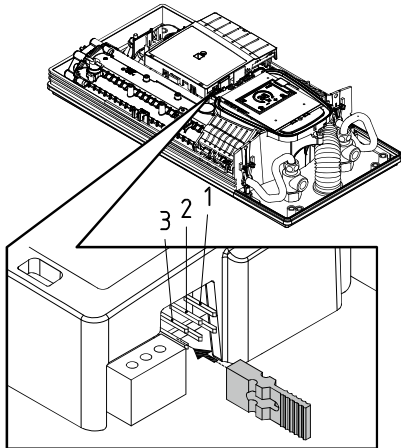
DCX Next		DCX13 Next	
left stop	18 kW	first click	11 kW
first click	21 kW	second click	13.5 kW
second click	24 kW		
right stop	27 kW		

2. Put the auxiliary tool back into the holder, connect the control panel cable to the control panel in the hood, place the hood on the appliance and fix it with the hood screw.  
**Note: The control panel cable must not be pinched or squeezed.**
3. Mark the set power rating on the rating plate and slide on the faceplate from the bottom up to the stop.
4. Switch on the power supply to the appliance.
5. After having set the maximum allowable power rating, the heating element will be activated after approx. 10 – 30 sec of continuous water flow.
6. Open the hot water tap. Check the function of the appliance.
7. Explain the user how the instantaneous water heater works and hand over the operating instructions.
8. Fill in the guarantee registration card and send it to the CLAGE Central Customer Service or use the online registration (see also page 18).

**Note:** Each time the supply voltage is switched on, the set power is indicated by alternating short and long flashes of both LEDs on the power section. If the switch is incorrectly positioned, this is indicated by continuous short flashes.

## 7. Initial operation

EN

**Control panel lock**

The control panel can be locked internally. The temperature is fixed at the last selected value and the sensor button is deactivated.

**Activation of the locking function**

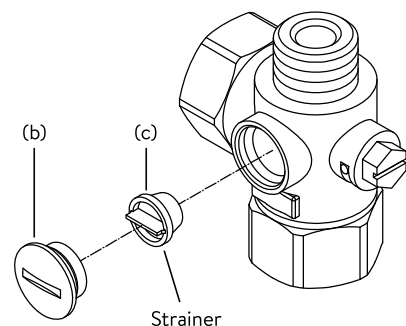
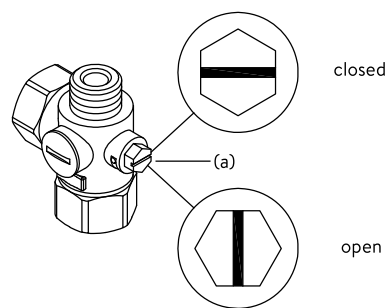
1. Select hot water temperature
2. Disconnect the appliance from the power supply (e.g. by switching off the fuses).
3. Take the jumper off the power electronics and change to position “3” (see picture).
4. Put the appliance into operation again.

**Deactivation of the locking function**

1. Disconnect the appliance from the power supply (e.g. by switching off the fuses).
2. Take the jumper off the power electronics and change to position “OFF” (see picture).
3. Put the appliance into operation again.



## 8. Maintenance work



**Maintenance work must only be conducted by an authorised professional.**

### Cleaning and replacing the filter strainer

The cold water connection of this instantaneous water heater is equipped with an integrated shut-off valve and a strainer. Soiling of the strainer may reduce the warm water output. Clean or replace the strainer as follows:

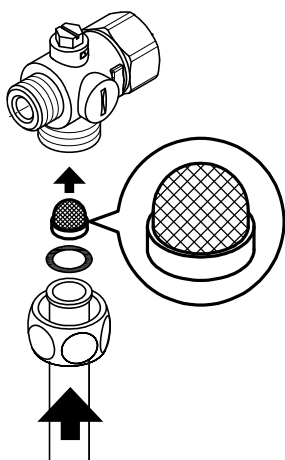
1. De-energize the instantaneous water heater (e.g. via deactivating the fuses) and prevent inadvertent reactivation of them.
2. To open the appliance, pull down the faceplate and unscrew the main hood screw. Lift the hood carefully, remove the plug from the control panel and note the position of the plug.
3. Close the shut-off valve (a) in the cold water connection piece (position "closed").
4. Unscrew the screw plug (b) from the cold water connection piece and take out the strainer (c).  
Note: Residual water can leak
5. The strainer can now be cleaned or replaced.
6. After fitting of the clean strainer tighten the screw plug.
7. Slowly reopen the shut-off valve in the cold water connection piece (position "open"). Ensure that there are no leakages.
8. Vent the appliance by carefully opening and closing the affiliated warm water tap valve several times until air no longer emerges from the pipe.
9. Connect the control panel cable to the control panel in the hood, replace the hood and tighten the hood screw.

**Note: The control panel cable must not be pinched or squeezed.**

Then switch on the power again (e.g. via activating the fuses).

### Cleaning and replacing the filter strainer if direct connected

The cold water connection of this instantaneous water heater is equipped with a strainer. Soiling of the strainer may reduce the warm water output. Clean or replace the strainer as follows:



1. De-energize the instantaneous water heater (e.g. via deactivating the fuses) and prevent inadvertent reactivation of them.
2. Close the shut-off valve in the mains water supply of the instantaneous water heater.
3. To open the appliance, pull down the faceplate and unscrew the main hood screw. Lift the hood carefully, remove the plug from the control panel and note the position of the plug.
4. Unscrew mains water inlet from connection piece and take out the strainer.  
Note: Residual water can leak
5. The strainer can now be cleaned or replaced.
6. After refitting the clean strainer reconnect the mains water inlet to the connection piece.
7. Slowly reopen the shut-off valve in the mains water supply. Ensure that there are no leakages.
8. Vent the appliance by carefully opening and closing the affiliated warm water tap valve several times until air no longer emerges from the pipe.
9. Connect the control panel cable to the control panel in the hood, replace the hood and tighten the hood screw.

**Note: The control panel cable must not be pinched or squeezed.**

Then switch on the power again (e.g. via activating the fuses).

EN